

POLYPROPYLENE BUTTERFLY VALVE

Polypropylene Butterfly Valve Seat departs from traditional liner-seat type valve for improved performance, ease of operation and superior sealing. Engineered for high volume flow control or throttling, this high performance valve is ideally suited for use in application that requires Polypropylene's broad range of chemical resistance, such as Industrial & Chemical Processing, Mining, Pulp & Paper, Water Parks, Aquariums & Aquaculture, and Municipal Water & Waste Water Treatment.



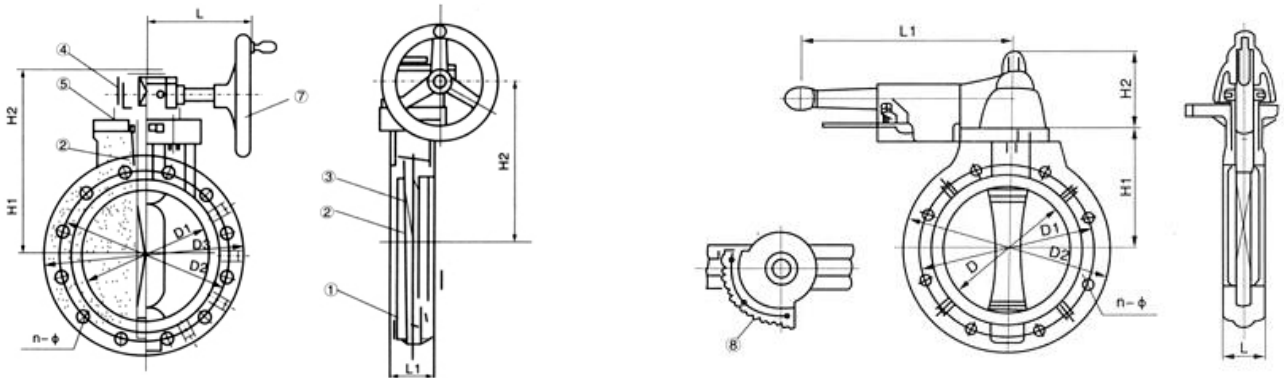
Features

- Patented Limited Contact Seat Design
- Sealing contact between disc and seat takes place only at close of valve, allowing free travel through full range of valve opening. Eliminates seat creep, extrusion, and wear typically associated with conventional liner-type seats. Exclusive design interlocks seat and body to prevent washout or blowout while maintaining a leak-tight seal.
- Polypropylene Construction
- Chemical and Corrosion Resistant Polypropylene Body and Disc, also available in PP natural. Serviceable to 180° F.
- Solid Type Steel Stem
- Full support, blowout proof stem available.
- High Impact Polypropylene Lever Handle
- Available on 1-1/2" through 6" sizes, provides quick selection from any one of seven stop positions, with built-in lockout capability. Reversible 180° for either right or left side operation.
- Low Profile Gear Operator
- Standard on 5" and larger sizes, utilizes high efficiency worm gear drive, with high impact polypropylene hand wheel, built-in position indicator, and epoxy coated housing. Available as an option on smaller valves.
- Field Replaceable Seat - Choice of EPDM, or Viton
- High-grade elastomer compounds provide a broad range of chemical resistance. Abrasion resistant EPDM and 100% virgin DuPont Dow Viton.
- Factory Actuated Valve Availability
- Factory installed electric or pneumatic actuation options and custom accessories available.

Specifications

Size	1-1/2" – 24"
Model	Wafer Style
Operator	Hand-wheel / Worm-gear
Body	PP / FRPP / CPVC / PVDF
Disc	PP / FRPP / CPVC / PVDF
Seat	EPDM or FPM
Seal	Same as seating material
Stem	Steel

Dimensions



Type	DN	D1	D2	D3	L1	L	H1	H2	N-Φ	Pressure	Weight (kg)
	mm	mm	mm	mm	mm	mm	mm	mm		MPa	RPP
Hand wheel	40	47	110	150	200	39	86	70	4-18	0.7	1.2
	50	56	125	160	220	40	88	70	4-18	0.7	1.3
	65	71	145	185	220	46	100	70	4-18	0.7	1.7
	80	85	160	195	280	46	105	85	8-18	0.7	2.3
	100	105	180	215	280	54	118	85	8-18	0.6	4
	125	131	210	250	300	70	163	93	8-18	0.5	4.8
	150	153	240	285	300	74	176	93	8-22	0.5	5.5
Worm gear	125	131	210	250	300	70	163	93	8-18	0.5	4.8
	150	153	240	285	300	74	176	93	8-22	0.5	5.5
	200	204	295	340	180	87	210	93	12-22	0.4	19
	250	255	350	395	180	114	240	93	12-22	0.3	28
	300	307	400	445	180	114	270	93	12-22	0.3	34
	350	358	460	505	180	127	300	93	16-22	0.3	52
	400	389	515	580	240	140	350	108	16-22	0.3	78
	450	446	565	615	240	152	370	108	20-26	0.2	76
	500	494	620	670	260	152	400	108	20-26	0.2	84
600	590	725	780	260	178	465	108	20-30	0.2	105	

* The information herein is subject to change without notice.